

meccalte



ECO 38N

MECCALTE spa - Via Roma, 20 - 36051 CREAZZO (VI) ITALIA
 Tel. +39 0444/396111 - Fax +39 0444/396166 - e-mail : info@meccalte.it
 web site: www.meccalte.com

4 POLE

CHARACTERISTICS

INDUSTRIAL RATINGS

ambient 40° C

Type	KVA - cos 0.8φ- 3 Phase continuous							Efficiency		
	CL. H (ΔT= 125°C)				CL. F (ΔT= 105°C)			η % CL. H(ΔT= 125°C)		
50 Hz										
Series Star Y	380	400	415		380	400	415	2/4	3/4	4/4
Parallel Star YY	190	200	208	IP45	190	200	208			
Series Delta Δ	220	230	240	400 V	220	230	240			
Parallel Delta ΔΔ	110	115	120		110	115	120			
ECO38-1SN/4	180	180	180	145	170	170	170	91,3	92,6	92,4
ECO38-2SN/4	200	200	200	160	185	185	185	91,7	92,9	92,7
ECO38-3SN/4	225	225	225	180	207	207	207	92	93,3	93
ECO38-1LN/4	250	250	250	200	230	230	230	92,4	93,7	93,4
ECO38-2LN/4	300	300	300	240	275	275	275	92,7	94	93,7
ECO38-3LN/4	350	350	350	280	320	320	320	92,6	93,7	93,5

Type	CL. H (ΔT= 125°C)				CL. F (ΔT= 105°C)			Efficiency		
								η % CL. H(ΔT= 125°C)		
60 Hz										
Series Star Y	440	460	480		440	460	480	2/4	3/4	4/4
Parallel Star YY	220	230	240	IP45	220	230	240			
Series Delta Δ	254	265	277	480 V	254	265	277			
Parallel Delta ΔΔ	127	133	138		127	133	138			
ECO38-1SN/4	220	220	220	175	205	205	205	92,3	93,6	93,4
ECO38-2SN/4	240	240	240	192	220	220	220	92,8	94	93,8
ECO38-3SN/4	270	270	270	215	250	250	250	93,4	94,5	94,2
ECO38-1LN/4	300	300	300	240	280	280	280	93,7	94,9	94,5
ECO38-2LN/4	340	360	360	280	310	330	330	93,9	95,1	94,7
ECO38-3LN/4	420	420	420	330	385	385	385	93,3	94,5	94,3

STANDBY RATINGS

Type	KVA Temp. Rise / Ambient °C			KVA Temp. Rise / Ambient °C		
	50 Hz			60 Hz		
	163° / 27°	150° / 40°	125° / 27°	163° / 27°	150° / 40°	125° / 27°
ECO38-1SN/4	196	188	188	236	230	230
ECO38-2SN/4	220	211	211	264	253	253
ECO38-3SN/4	250	237	237	300	284	284
ECO38-1LN/4	275	264	264	330	316	316
ECO38-2LN/4	330	315	315	396	378	378
ECO38-3LN/4	370	360	360	444	432	432

Type	J (Kgm ²) B3-B14 FORM	Weight (Kg)	Air Volume		Noise dB(A)			
					50 Hz		60 Hz	
			50 Hz (m ³ /min)	60 Hz (m ³ /min)	1m	7m	1m	7m
ECO38-1SN/4	1,7243	510	32	39	82	69	86	73
ECO38-2SN/4	1,8799	560						
ECO38-3SN/4	2,0751	590						
ECO38-1LN/4	2,3481	680						
ECO38-2LN/4	2,8342	765						
ECO38-3LN/4	3,4747	905						

ACCESSORIES

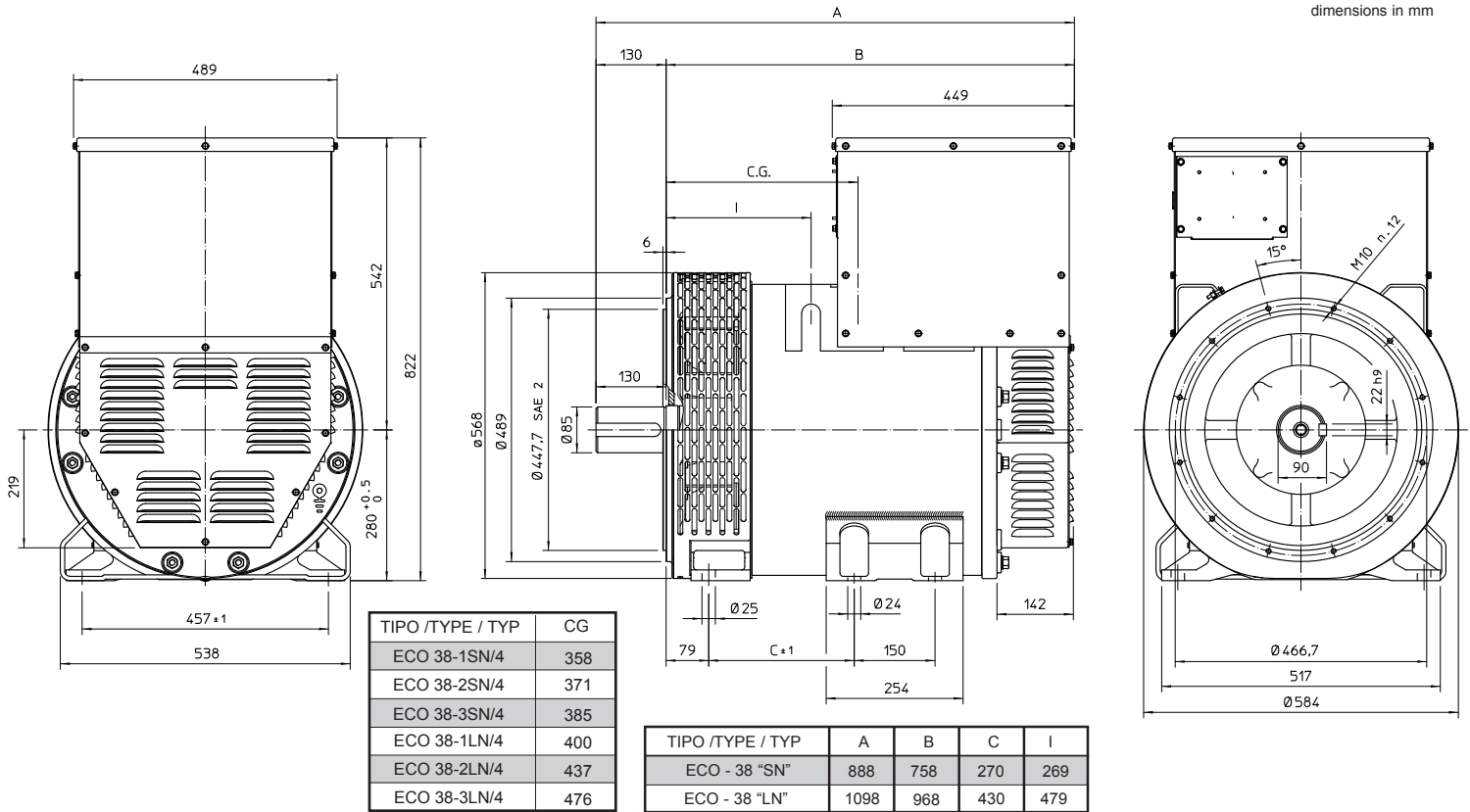
REGULATOR				PARALLEL DEVICE	THERMAL PROTECTION			HEATERS	MECHANICAL PROTECTION		
DSR	DER-1	SR7/2	UVR6		PTC	BIMET. DEVICE	PT100		IP21	IP23	IP45
<input checked="" type="checkbox"/>	<input type="checkbox"/>	<input type="checkbox"/>	<input type="checkbox"/>	<input type="checkbox"/>	<input type="checkbox"/>	<input type="checkbox"/>	<input type="checkbox"/>	<input type="checkbox"/>	<input checked="" type="checkbox"/>	<input type="checkbox"/>	<input type="checkbox"/>

● = Standard
 = Optional

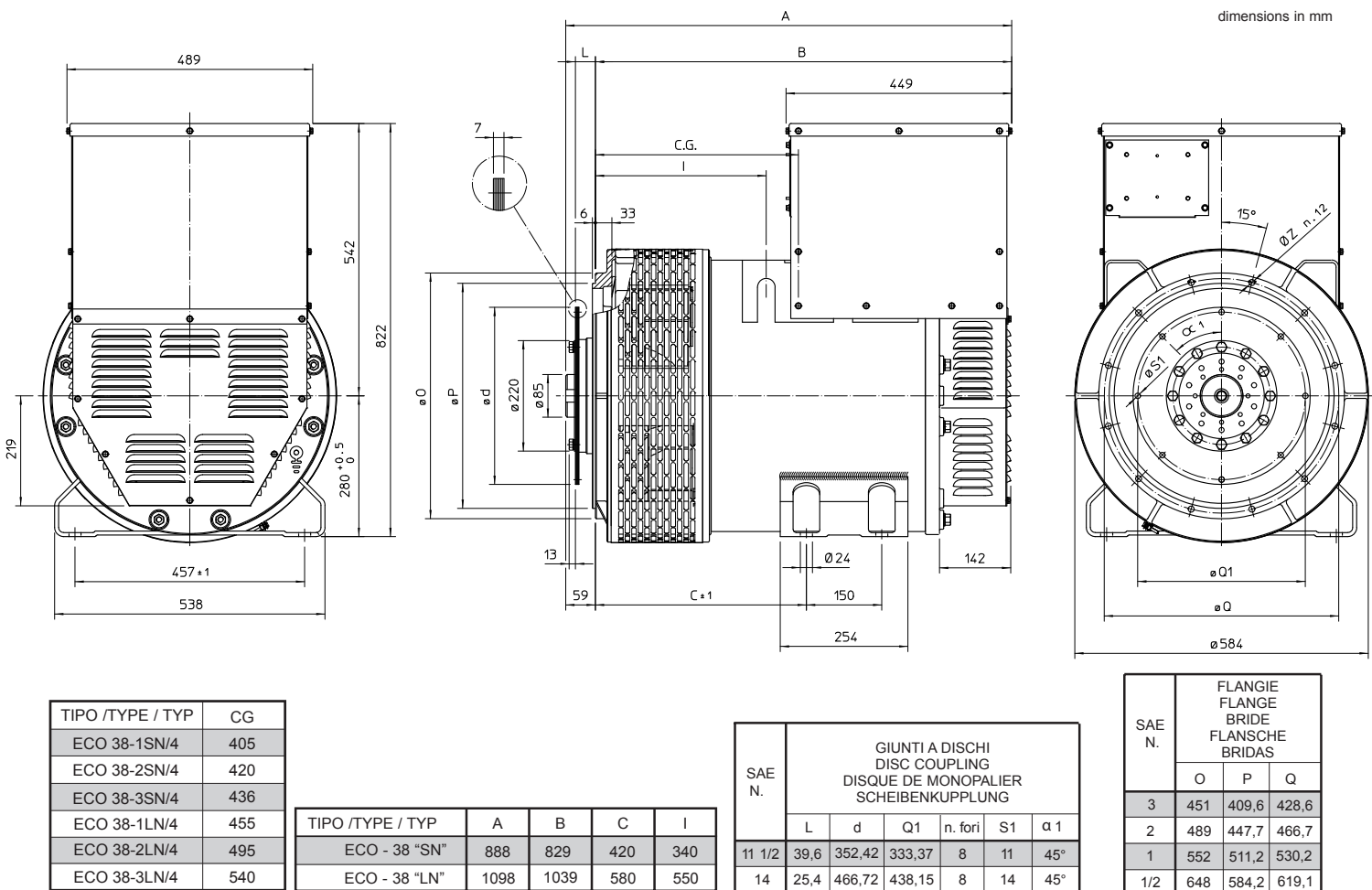


Rating

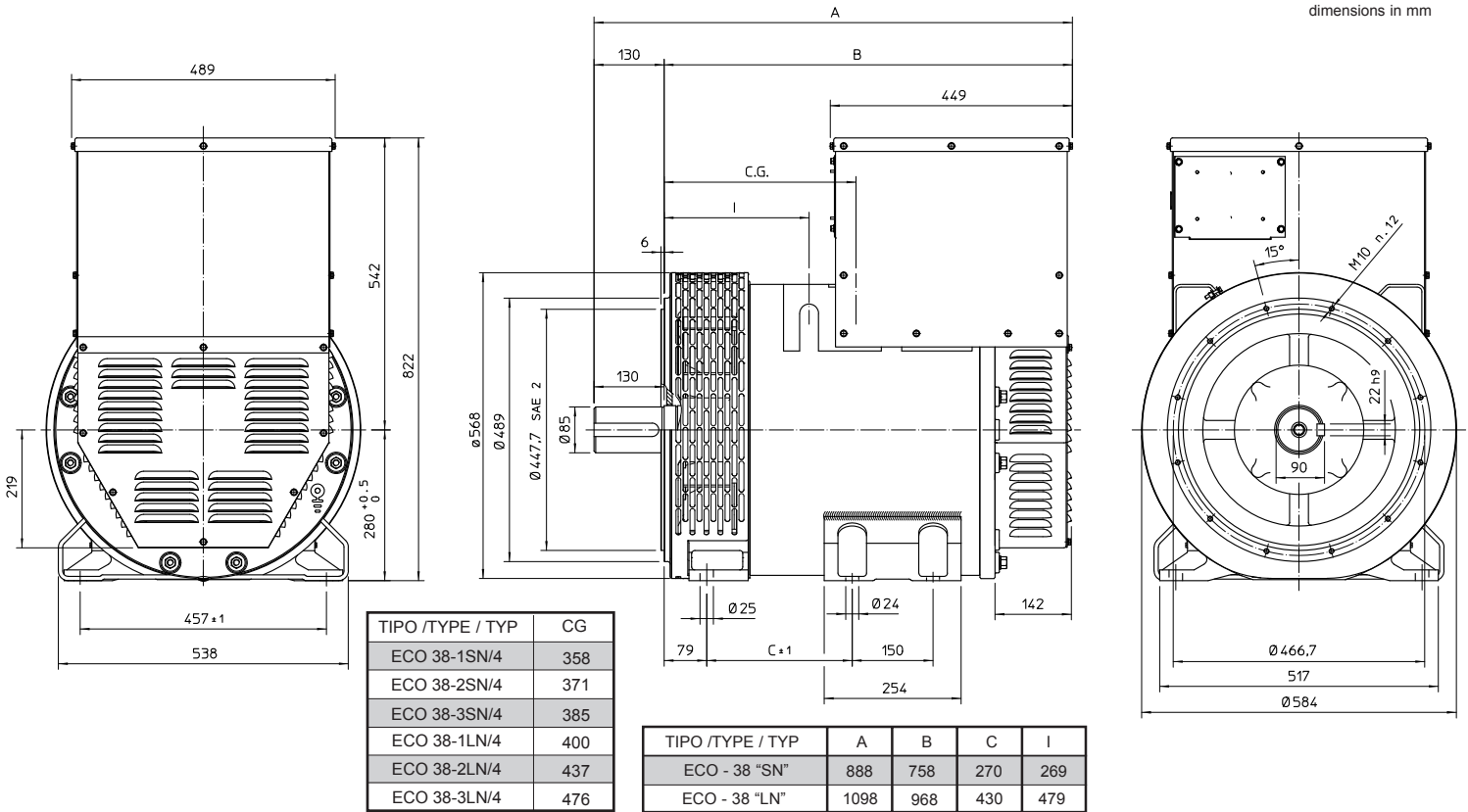
OVERALL DIMENSIONS B3-B14 FORM



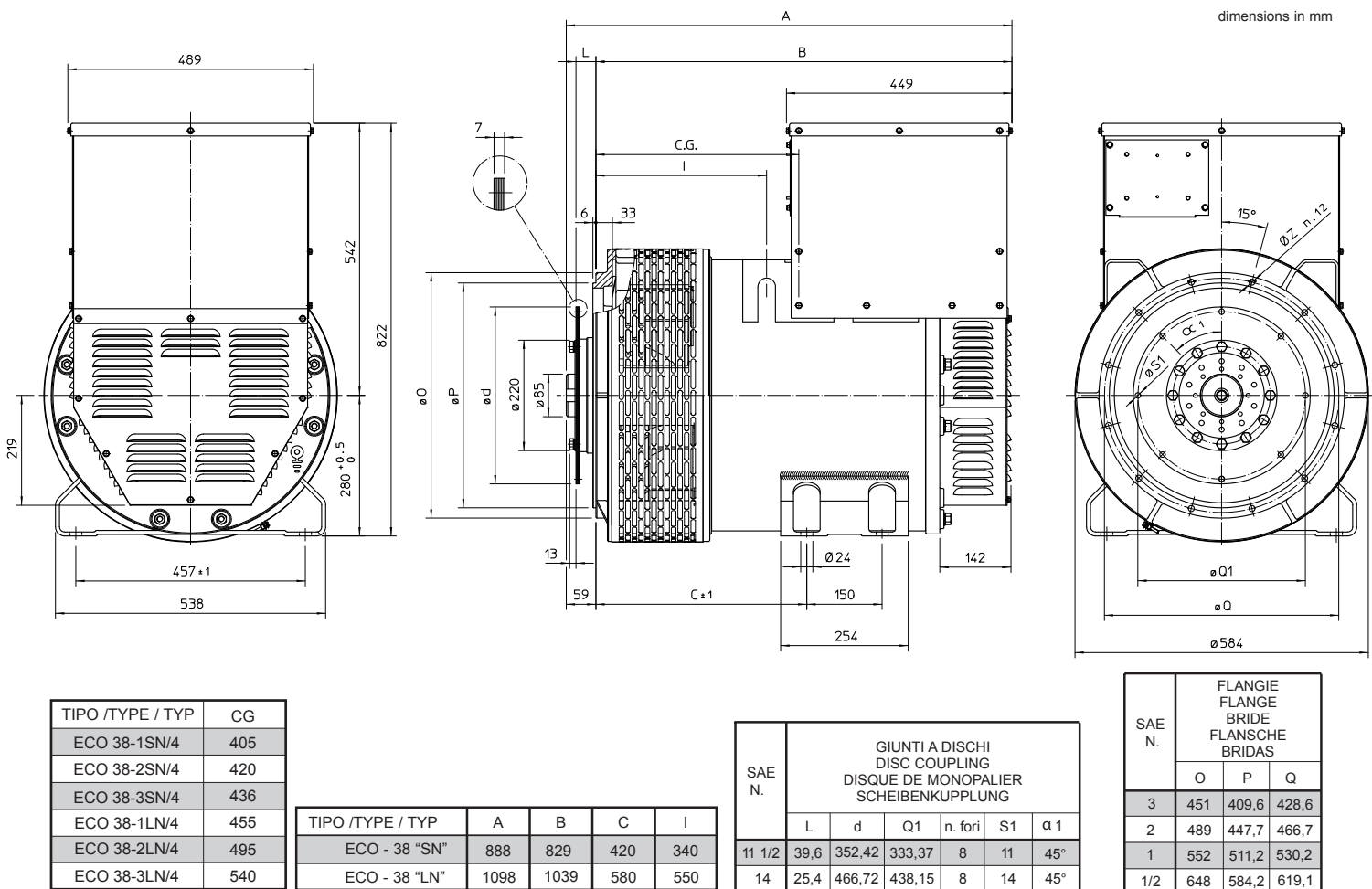
OVERALL DIMENSIONS MD35 FORM



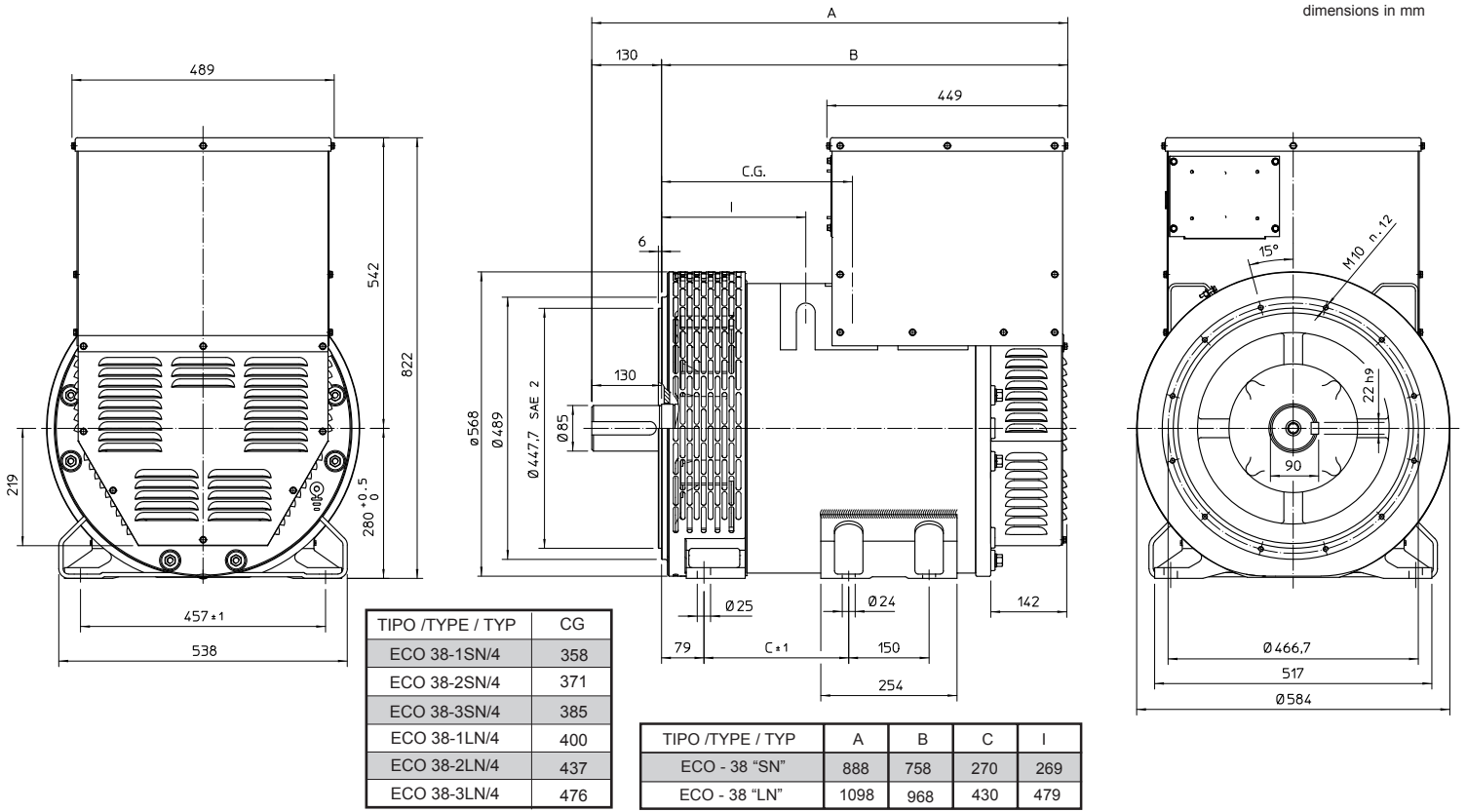
OVERALL DIMENSIONS B3-B14 FORM



OVERALL DIMENSIONS MD35 FORM



OVERALL DIMENSIONS B3-B14 FORM



OVERALL DIMENSIONS MD35 FORM

